

**OIL FREE SCREW
COMPRESSORS**

■ **BULKLINE RANGE**

The Screw compressor

The Principle

Due to its pulsation free operating characteristic, a screw compressor is usually the best solution where impact sensitive material is being handled.

The screw compressor principle is well proven and involves two meshing and non-contacting helical screws. Low wear rates, as well as 100% oil free air, are the main advantage of this compressor type.

The compression chamber of a screw compressor does not require oil or grease for lubrication. All lubricated components, such as bearings, are outboard and are easily accessed.

Precision machining of the rotor profile is critical to reliable operation of this compressor type. Even the smallest defect can affect the balance of the machine and cause extensive wear, or even total failure. For this reason, Gardner Denver is dedicated to perfection of manufacture and robust rotor bearing support.



The Advantage



Another innovation is our focus on light-weight construction, without compromise in terms of strength. The compact design of the Bulcline screw compressor complements the design culture of today's trucks perfectly.

There are a variety of possible drive methods: V-belts, hydraulic motor, electric motor or diesel engine. The Bulcline is very adaptable.

Day to day, the weight saving provided can give the operator a substantial benefit in terms of increased payload revenue.



Wittig Bulkline

Adapter flanges

Available for air intake and delivery for fitting of alternative accessories.

Accessory

Relief valve.

Centre Mounting

For fitting a hydraulic motor.

Accessory

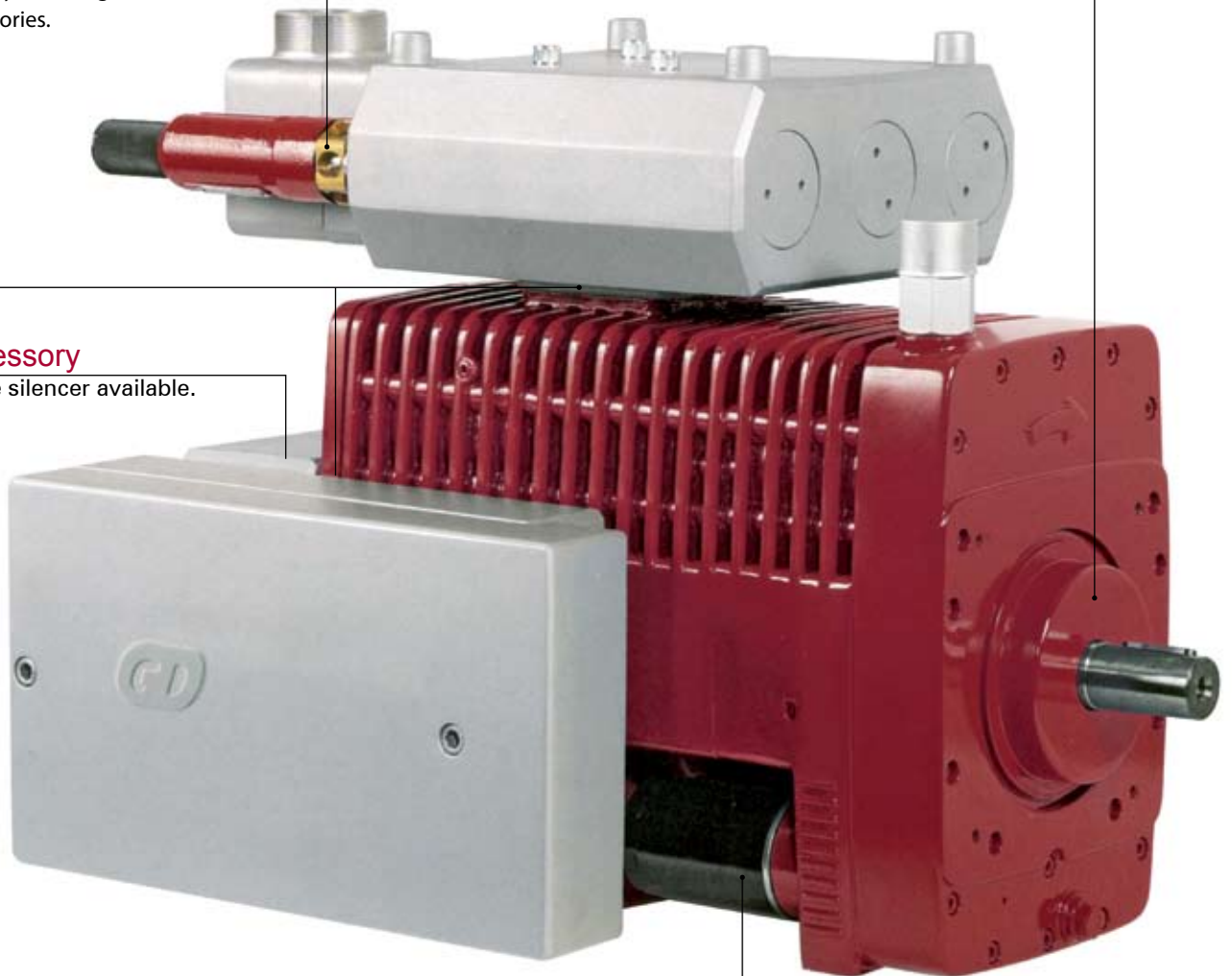
Intake silencer available.

Mounting

Optional flange to connect a cyclonic filter

Oil filter

On the delivery side of the oil pump. No strainer on the intake side.



Drive

Suitable for clockwise or anti-clockwise p.t.o. rotation, by using the available mounting orientations and ancillaries..

Oil

Oil fill plug on either side.

Accessory

Delivery silencer with built-in non-return valve.

Drains

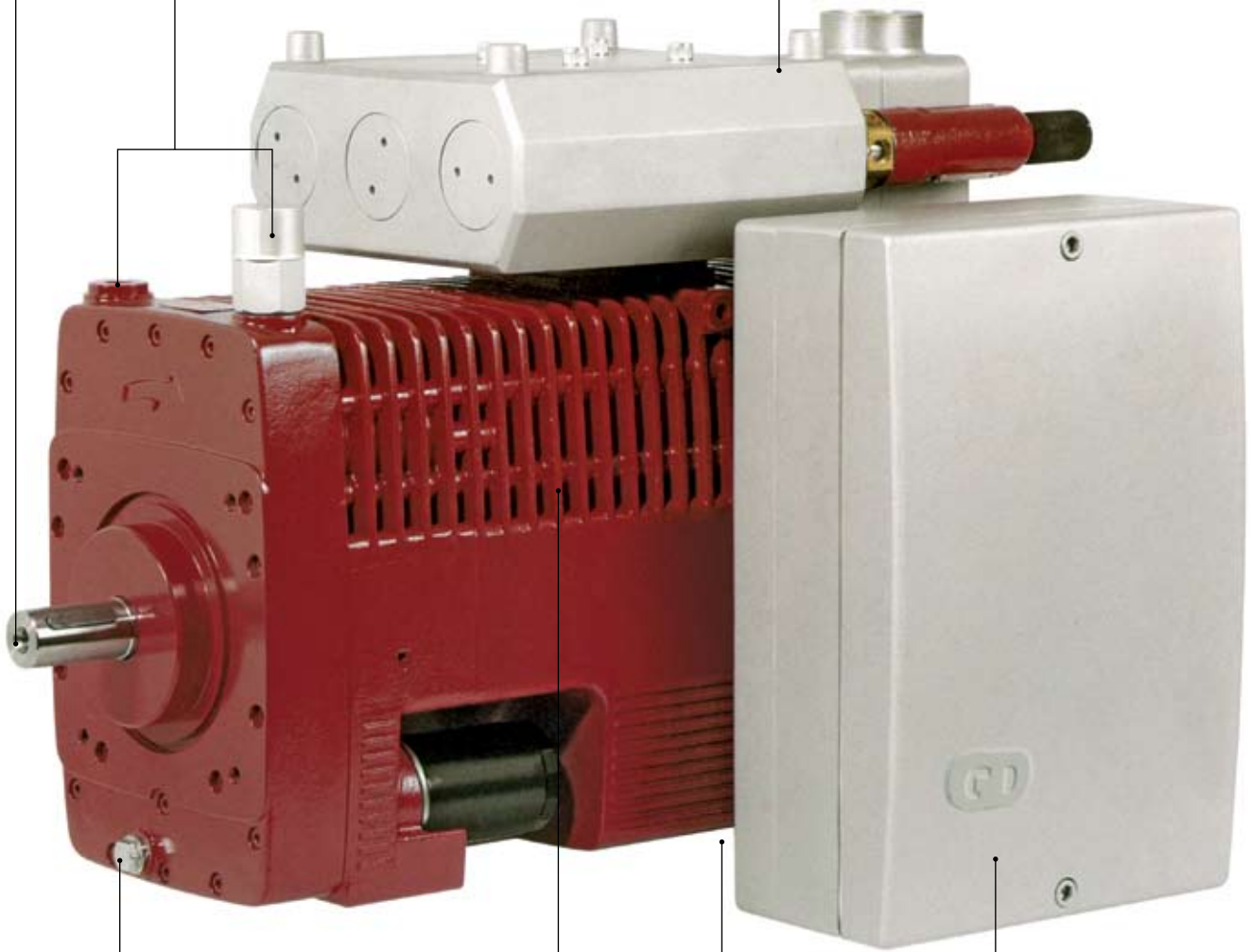
Two oil drain points to suit the mounted position of the compressor.

Cooling

Cooling fins for efficient heat dissipation and strengthening of the housing.

Accessory

Single (shown) or two stage intake filters available.



Wittig Bulkline Light and Compact



Performance & Data

The Gardner Denver Bulkline machines are screw compressors of the highest quality.

Simple - requiring little maintenance.

Powerful - across a wide speed range.

Robust - made from the best materials.

Economical - optimal operating cost profile.

Screw compressor Bulkline 650

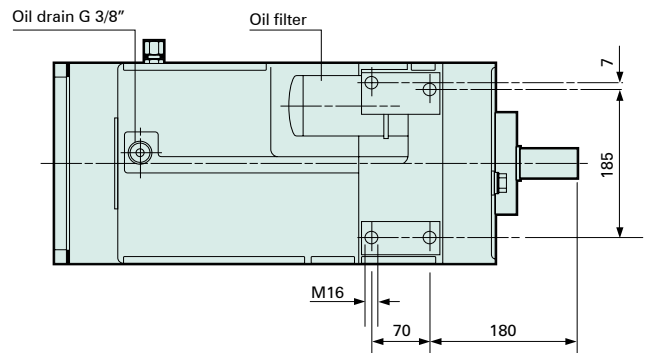
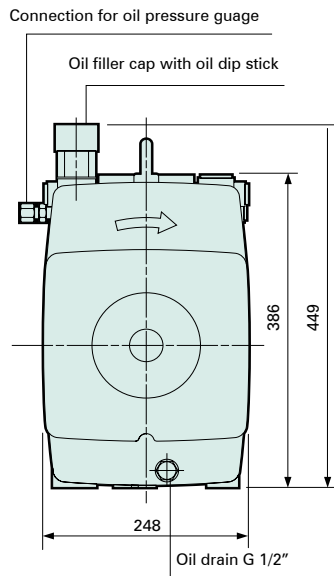
Speed	rpm	2400	3000	3600
Free Air Flow	m ³ /h	400	520	630
Flow rate at 2 bar (g)	m ³ /h	365	464	580
Intake temperature	°C	20	20	20
Intake pressure (absolute)	bar	1.0	1.0	1.0
Max. operating pressure	bar(g)	2.5	2.5	2.5
Power requirement at the shaft at 2 bar	kW	23.0	28.5	34.5
Weight (bare machine)	kg	117		

Screw compressor Bulkline 1000

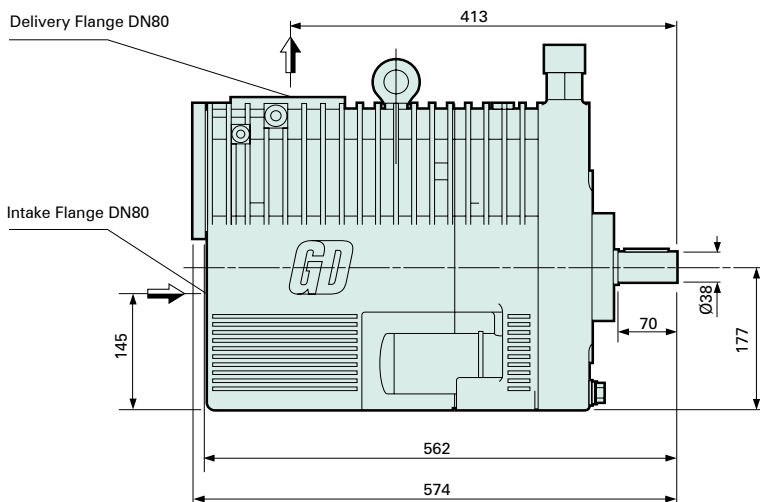
Speed	rpm	2400	3000	3600
Free air flow	m ³ /h	640	825	1025
Flow rate at 2 bar (g)	m ³ /h	565	740	945
Intake temperature	°C	20	20	20
Intake pressure (absolute)	bar	1.0	1.0	1.0
Max. operating pressure	bar(g)	2.5	2.5	2.5
Power requirement at the shaft at 2 bar	kW	32.5	45.5	54.0
Weight (bare machine)	kg	127		

Dimensions

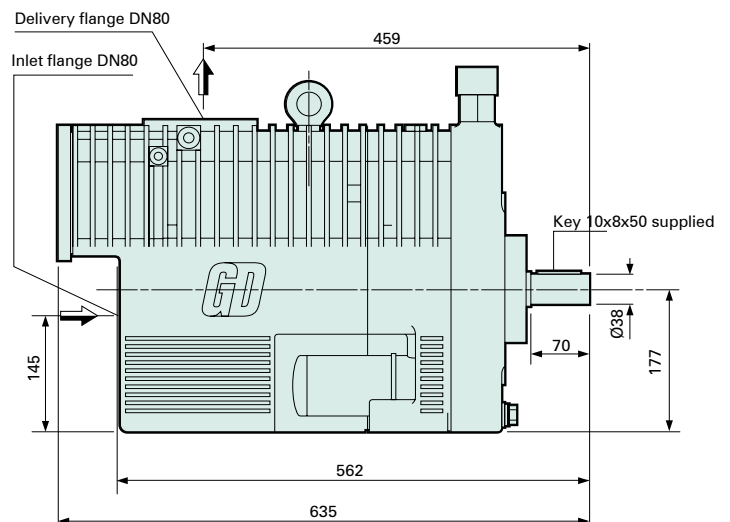
Bulcline 650, Bulcline 1000



Bulcline 650



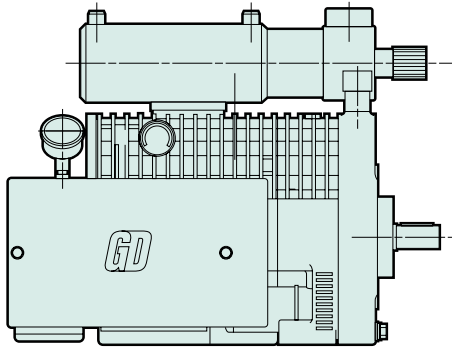
Bulcline 1000



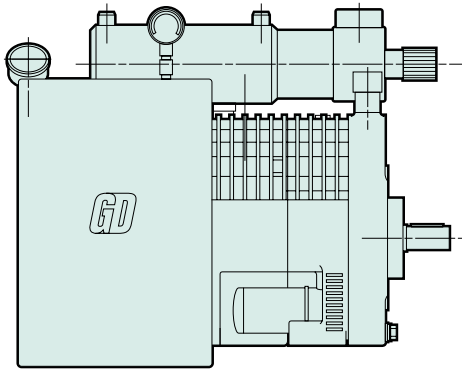
All dimensions in mm

Accessories

Bulcline 650 accessory options



Bulcline 650 and 1000 accessory options



Accessories

- Discharge silencer
- Intake air filter (fixed as shown above or cyclonic filter and flexible hose)
- Mounting Bracket
- Aftercooler
- Relief Valve
- Manometer (included as standard)

Applications

- Installation on bulk tankers for discharge of flour, sugar, cereal grains, feedstuff, cement, gypsum, lime, sand, ash, clay ash, granular material, chemical substances and pellets
- Suitable for stationary installations

Drive

- By the truck engine via p.t.o.
- By V-belt – The V-belt pulley is mounted on the free shaft end.
- By hydraulic motor
- By diesel engine or electric motor

Cooling

- By cooling fins

Lubrication

- All bearing parts are supplied with oil via an integral oil pump

Mounting

- Different mounting brackets are available for clockwise or anti-clockwise p.t.o. rotation



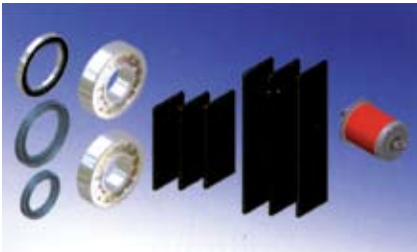
Gardner Denver Installation Consultation and Training

Avoid user mistakes before they are made: This is our motto for cost saving and service readiness. Comprehensive consultation and competent user training have been traditional strengths of Gardner Denver Wittig.



Gardner Denver Service

Fastness, reliability and advisory competence are part of what we understand by quality. Human components such as commitment, readiness for service and sympathy are inalienable ingredients of quality.



Gardner Denver Original Parts

The rotary compressor earns money when it is running not when it is out of service. This supposes that if a failure does occur it is repaired in next to no time. 24-hour service, a comprehensive parts stock and the right accessories for every machine are a "must" in this context.

CONTACT YOUR GARDNER DENVER REPRESENTATIVE

CONTACT HEAD OFFICE



PO Box 178, Springmill Street, Bradford, West Yorkshire,
BD5 7YH, England

Tel: +44 (0) 1274 718100 Fax: +44 (0) 1274 718101

Sales: +44 (0) 1274 718160

Web: www.eu.gardnerdenver.com

e-mail: transportsales@eu.gardnerdenver.com

