

Remote Air Cooler



Market

The air cooler is a separate ancillary assembly designed for use with blowers and compressors on applications where high discharge temperatures can affect heat-sensitive products (eg sugars and some plastics).



Specification

General Design

The air cooler itself comprises a cooling fan, radiator and cooling duct. This is assembled/located inside an ABS enclosure and connection/mounting module. A 24V DC (alternative voltages available upon request) operated cooling fan provides a consistently high cooling rate throughout the discharge flow range of the compressor. The major parts of the air cooler are supplied pre-assembled with the blanking flanges and mounting feet supplied as a kit.

Standard Package

The cooler package includes the following:

- Radiator assembly
- Air radiator
- Cover
- Bracket (blanking flanges and gaskets)
- Slip-on weld flanges are available in different materials as an optional extra

After mounting, the installer simply connects the cooler to the pipework.

Mounting

The cooler can be mounted either perpendicular or parallel to the chassis providing that adequate clearance remains for the cooler air entry and exit (100mm minimum).

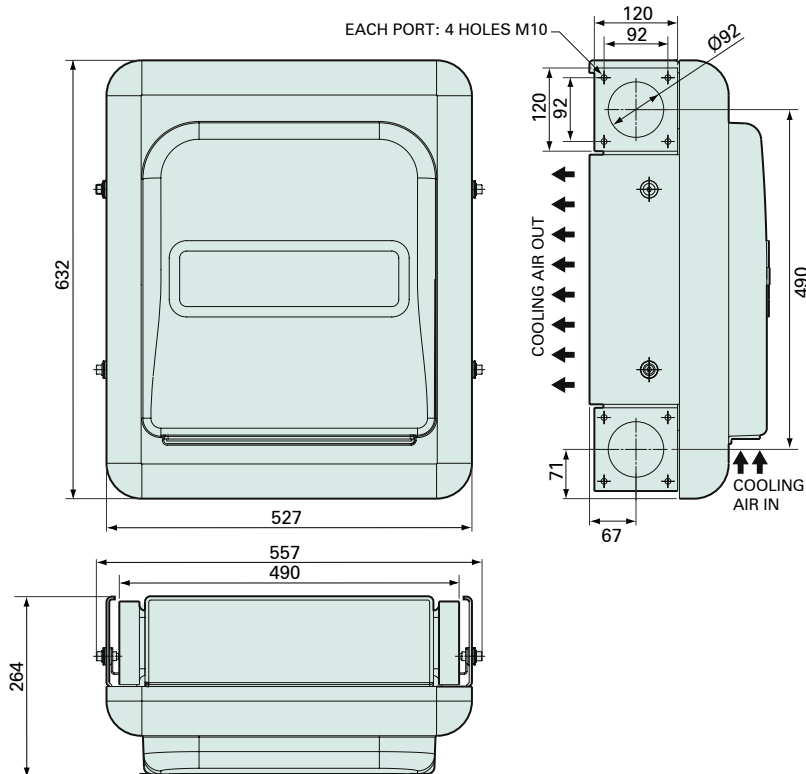
The design of the remote air cooler enable it to be mounted anywhere on the vehicle giving maximum flexibility on installation.

Flexible elements should be incorporated into both the inlet and discharge pipework to avoid inducing any unnecessary load on the cooler.

Remote Air Cooler

REMOTE AIR COOLER

Dimensions



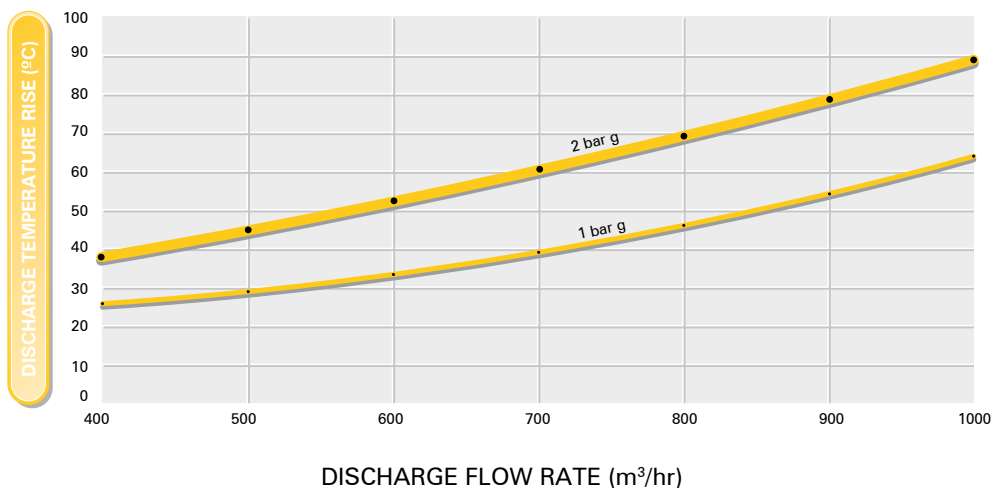
Weight: 25kg

Cooling Performance

There are many different factors affecting the cooling rate, but the maximum temperature rise should not exceed 89°C above the ambient/fan air inlet temperature at flow rates of up to 1000m³/hr (at 2 bar g). See the graph below for more details.

Performance

Cooler discharge temperature rise (above the fan and air inlet temperature).



Discharge flow measured in accordance with BS1042/ISO 5167-1/BS150 TR 15377 and referred to inlet conditions.

CONTACT YOUR GARDNER DENVER REPRESENTATIVE

CONTACT HEAD OFFICE



PO Box 178, Springmill Street, Bradford, West Yorkshire, BD5 7YH, England

Tel: +44 (0) 1274 718100 Fax: +44 (0) 1274 718101

Sales: +44 (0) 1274 718160

Web: www.gardnerdenverproducts.com

e-mail: sales.gddrum@gardnerdenver.com